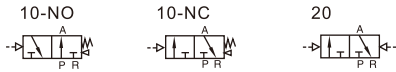


Air valve(3/2 way)

3A100 Series



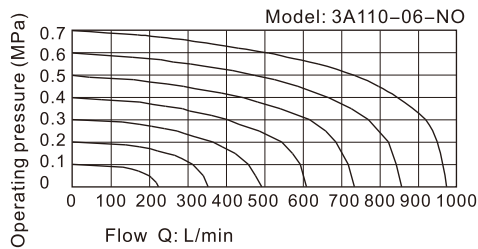
Symbol



Product feature

1. Structure in sliding column mode: good tightness and sensitive reaction.
2. Double air control valves have memory function.
3. Internal hole adopts special processing technology which has little attrition friction, low start pressure and long service life.
4. No need to add oil for lubrication.
5. Multi-mounting helps to install and apply.
6. Integrate with the manifold to save installation space.

Flow chart



Specification

| Model | 3A110-M5 | 3A120-M5 | 3A110-06 | 3A120-06 |
|------------------------|---|----------|-------------------------------|----------|
| Fluid | Air(to be filtered by 40 μm filter element) | | | |
| Acting | Exterior control | | | |
| Port size [Note1] | M5 | | 1/8" | |
| Orifice size | 5.5mm ² (Cv=0.31) | | 12.0mm ² (Cv=0.67) | |
| Valve type | 3 port 2 position | | | |
| Lubrication [Note2] | Not required | | | |
| Operating pressure | 0.15~0.8MPa(21~114psi) | | | |
| Proof pressure | 1.2MPa(175psi) | | | |
| Temperature | -20~70°C | | | |
| Material of body | Aluminum alloy | | | |
| Max. frequency [Note3] | 5 cycle/sec | | | |

[Note1] PT thread, G thread and NPT thread are available.

[Note2] Once lubricated air is used, continue with same medium to optimise valve life span. Lubricants like ISO VG32 or equivalent are recommended.

[Note3] The maximum actuation frequency is in the no-load state.

Ordering code

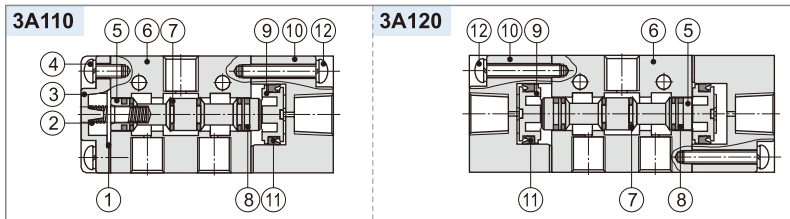
3A 1 10 06 NO □



| 1 Model | 2 Code | 3 Valve type | 4 Port size | 5 Acting type | 6 Thread type |
|-------------------------|---------------|--|--------------------|---|---|
| 3A: Air Valve (3/2 way) | 1: 100 Series | 10: Single air control 20: Double air control | M5: M5 06: 1/8" | NC: Normally close NO: Normally open No this code | M5 1/8" No this code Blank: PT G: G T: NPT |

Please refer to 107 for manifold specification and the order way.

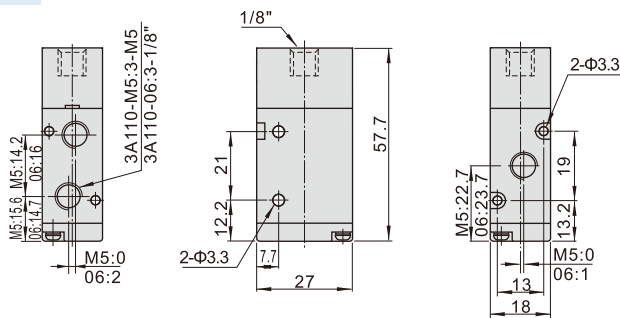
Inner structure



| No. | Item | No. | Item | No. | Item |
|-----|---------------------|-----|-----------|-----|---------------|
| 1 | Bottom cover gasket | 5 | Spool | 9 | Piston |
| 2 | Spring | 6 | Body | 10 | Pilot body |
| 3 | Bottom cover | 7 | O-ring | 11 | Piston O-ring |
| 4 | Bottom cover screw | 8 | Wear ring | 12 | Piston screw |

Dimension

3A110



3A120

